

Data Sheet N° 2015 A

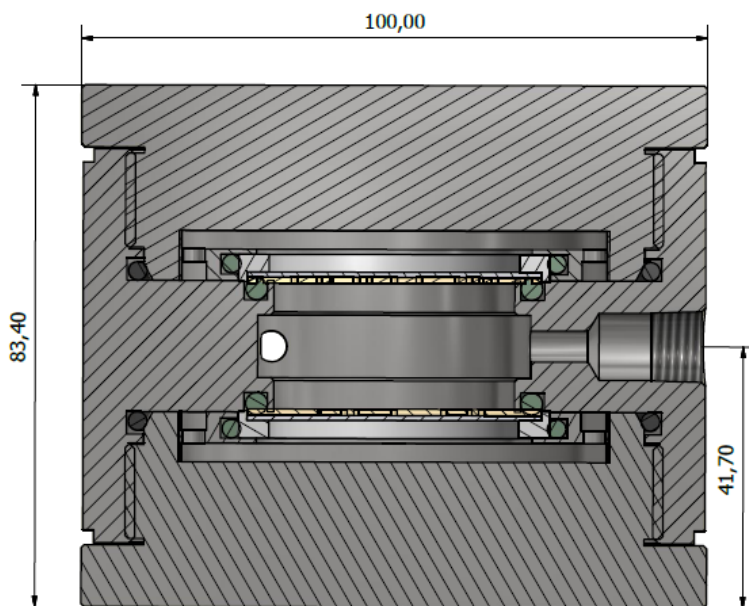
SEC 470DB HP KL ED90 Housing

Applications

- Gaz/liquid-separation
- Unmixing/liquid/liquid-separation

Accessory

- Mounting bracket: MB SEC DB



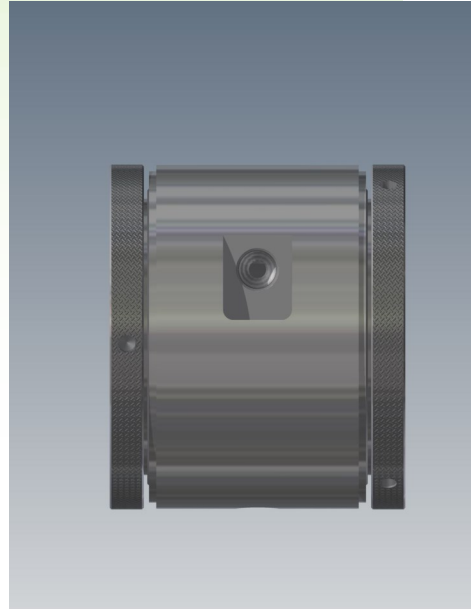
Gas/Flow 8 L/mn max. sample outlet
Fast loop/flow 200 to 400L/H

Do not back-flush the membrane.– no reverse flow

For water stop, do not over 1 bar delta P

The water will pass through the membrane over this value.

If the sample is not clean, we recommend to use a dust filter or a coalescing filter before the membrane filter.



• Technical Data

Pressure:	250Bar
Material:	Inox ST/ST
O Ring:	FPM/ KL ED 90/PTFE
Volume:	30 mL
Weight:	3950 g
Temperature:	180 °C
H de démontage:	110 mm

• Spare Parts

Seals kit

PJSEC 470 DBHP KL ED90

Membrane Kit SEC 470 HP

Support 1002

• Reference

3S1SEC 470 DB HP KL ED 90

Inlet fast loop 1/4 NPTF

Outlet fast loop 1/4 NPTF

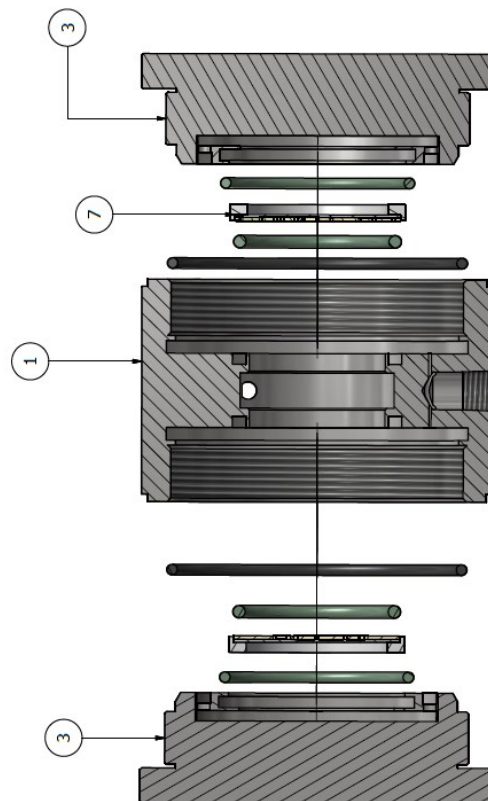
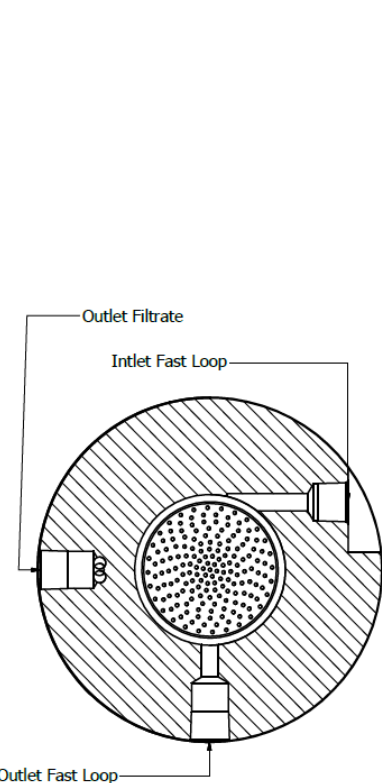
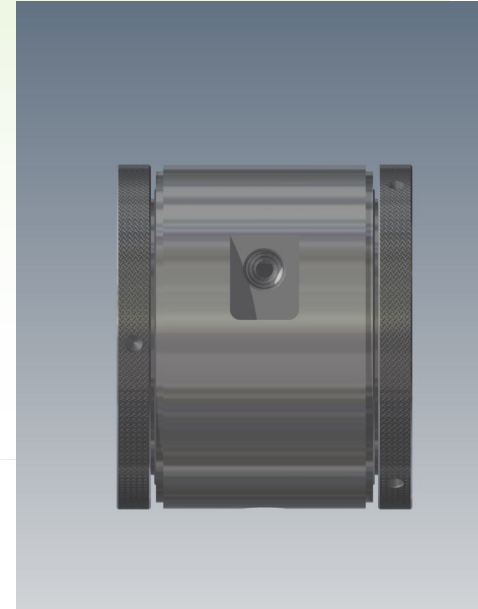
Outlet filtrate 1/4 NPTF

OUR SOLUTIONS THE ANSWER YOUR NEEDS

Data Sheet N° 2015 A

SEC 470DB HP KL ED90 Housing

LISTE DE PIECES			
ARTICLE	QTE	NUMERO DE PIECE	DESCRIPTION
1	1	FL3S1FLSEC470DB HP	BODY
3	2	FLSEC470HP 2 A	COVER
4	2	PJSEC 470 DB HP KL ED90	SEALS KIT
7	2	SEC 470HP	MEMBRANE



• Technical Data

Pressure: 250Bar
 Material: Inox 316ST/ST
 O Ring: FPM/KL ED 90/PTFE
 Volume: 30 mL
 Weight: 3950 g
 Temperature: 180 °C
 H de démontage: 110 mm

• Spare Parts

Seals kit
 PJSEC 470 DBHP KL ED90
 Membrane kit SEC 470 HP
 Support 1002

• Reference

3S1SEC 470 DB HP KL ED 90

Inlet fast loop 1/4 NPTF
 Outlet fast loop 1/4 NPTF
 Outlet Filtrate 1/4 NPTF

OUR SOLUTIONS THE ANSWER YOUR NEEDS