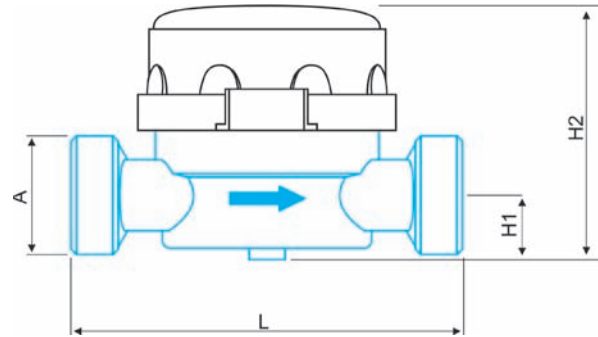


**KT Series**  
DN15-20  
80-190 mm

## GENERAL CHARACTERISTICS

- Complies with MID and GOST directives
- Single jet, dry type
- Vacuum mechanism with dust and steam protection
- Protected against magnetic interference
- Easy reading with 360 rotating printer unit
- Suitable for optical reading
- Corrosion resistant brass body
- All parts are made of materials suitable for contact with water
- Registration capacity 99999 m<sup>3</sup>
- Long service life with sapphire jewel bearing
- Optional adding of PULSE output module



## DIMENSIONS



MODEL NAME			KT9	KT10	KT11	KT12	KT13	KT14	KT15	KT16	KT17	KT18
Nominal Diameter	DN	mm	15			20			20			
		inch	1/2"			3/4"			3/4"			
Length	L	mm	80	110	110	130	190	110	130	190		
Axis Height	H1		18	18	18	18	18	18	18	18	18	18
Total Height	H2		71	71	71	71	71	71	71	71	71	71
Connection Diameter	A		G 3/4 B		G 3/4 B		G 1 B			G 1 B		