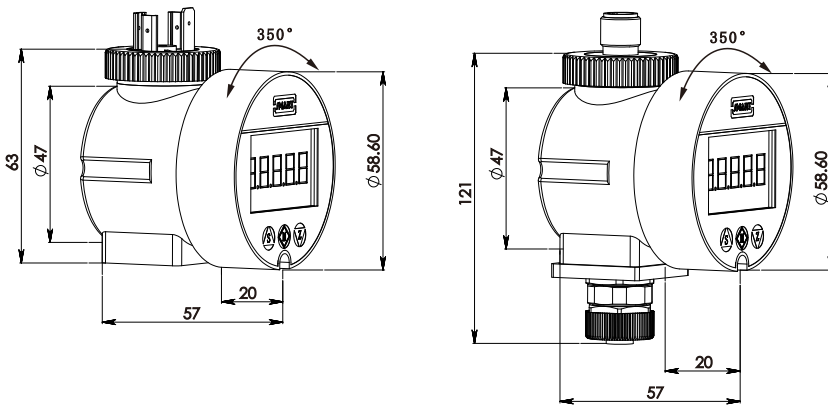


## Product introduction :

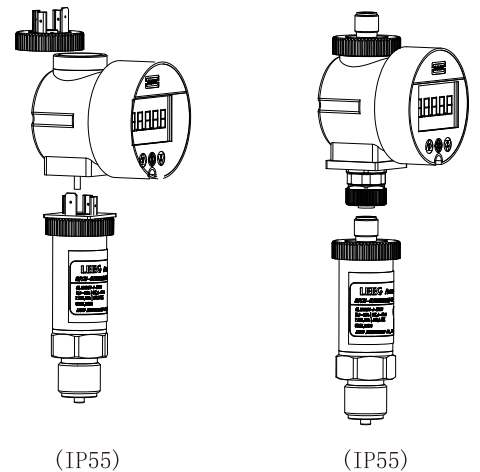
- Backlight big screen,350°rotation angle
- 30 more display units,flexible 3 buttons setting
- 24 bits high precision ADC sampling, lightning protection(4KV)
- Optional on-off alarm output, display and control integration
- Suitable for 4-20mA transmitters site display and on-off alarm output



## Dimensions (mm)



## Installation Instruction



## Detail parameters

Basic parameters	
Applications	Process variable,4-20mA current value or percentage site display Up to 2 independent switch output
Input signal	4-20mA two wire
Power supply	4-20mA two wire loop power supply, max pressure drop 8VDC
Output signal	4-20mA two wire signal loop output for option
Site operation	3 buttons, all parameters can be modified at site
Warranty	12 months under normal use

Display parameters	
Site display	Double row 5 bit/8 bit, 7 section/16section with backlight LCD display -19999-99999
Accuracy class	0.1%F.S, ±1bit
ADC sampling	24 bits

Switch parameters	
Output	Independent of 4-20 mA two wire circuits
Switch quantity	1 way PNP, standard configuration Max 2 way PNP for option
Switch settings	0-100% for option
Switch state	Normally open,normally closed for option
Switch function	High setting, low setting, window function, hysteresis function
Accuracy class	0.1%F.S
State indicate	Red or green LED display
Max. load	Continuous max load 120mA
Delay time	0-255ms for option
MAX.frequency	Top 10 times/s
Hysteresis setting	0-5% for option

Failure warning	
Standard	Low alarm value 3.5mA, high alarm value 23mA

Housing	
Material	ABS+PC
Rotation angle	350°,convenient to observe
Color	Red,black for option

Temperature limit	
Environmental temperature	-20-70℃
Storage temperature	-20-70℃

Humidity limit	
Humidity limit	5-85%RH, no outer protection

Mechanical features	
Anti-vibration	20g, 20-5000Hz
Anti-shock	100g, 11ms

Electrical features	
Insulating property	500V/100MΩ
Electrical protection	Short-circuit protection,reverse polarity protection

Certificate	
EMC	EN61326

Unit	
kPa, MPa, Pa, bar, mbar, psi, mH2O, mmH2O, cmH2O, mmHg, Torr, atm, kg, g, mg, N, kN, °C, °F, K, %RH, %VOL, PPM, %LEL, pH, m, cm, mm, inch, m/s, Ω(ohm), kΩ (kohm), mV, V	

Cargo information	
Weight	about 100g
Package	Cartons,instructions,certificates,after-service card

**Selection table**

LCD	Code	Code description	11
Type	11	Direct plug-in installation	O
Separator	-	Following detailed specifications	
Electrical connection with transmitter	D	DIN (DIN43650, female seat)	O
	H	M12X1(4-pin) (M12*1, 5 pin, female seat)	O
	Y1	Customer	Discussed
Electrical connection with system	D	DIN (DIN43650, male seat)	O
	H	M12X1(4-pin) (M12*1, 5 pin, male seat)	O
	Y2	Customer	Discussed
On-off alarm function	N	None	O
	A	1 way on-off alarm output	O
	B	2 way on-off alarm output	O
	Y3	Customer (Min.order:100 pcs)	Discussed
Housing color	R	Red (for option)	O
	B	Black	O
	Y4	Customer (Min.order:500 pcs)	Discussed
Membrane color	R	Red (for option)	O
	B	Black	O
	Y5	Customer (Min.order:500 pcs)	Discussed
Special requirement	Y6	Special explain	Discussed
Factory instruction			
Example	LCD11-DDN		