



## Laminar AirPurge

The reliable extension for the CoolingJacket  
in harsh environments

innovative infrared technology

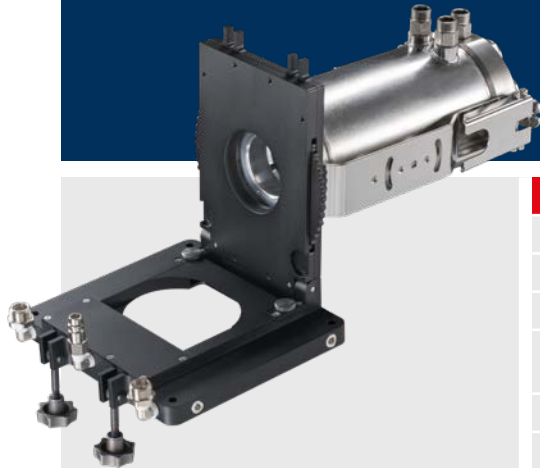
# optris® Laminar AirPurge

## TECHNICAL DATA

The reliable extension  
for the CoolingJacket  
in harsh environments

### Advantages:

- Easy assembly
- Air and water cooling incl. water-cooled mounting plate
- Flexible laminar air stream for protection from dust and dirt
- Easy maintenance due to folding mechanism
- Focussable from the outside once installed
- Integrated protection window for mechanical protection
- Also available as line scan version



Orthogonal airflow



Parallel airflow

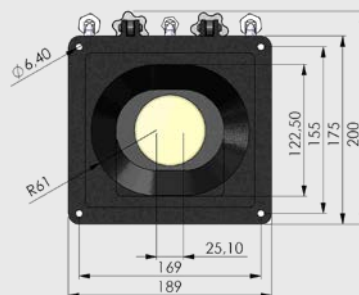
### Technical specifications

Protective rating	IP 65
Ambient temperature	Up to 315 °C (with water cooling)
Material	Aluminum
Dimensions (W x H x D)	200 x 189 x 43 mm
Weight	1.9 kg
Air purge connection	NW 7.2
Cooling water connection	G3/8° external thread
Cooling water pressure	Max. 8 bar
Volume stream	120 l/min
Air pressure	1.1 – 8 bar
Protective window	Necessary <sup>1)</sup>
Version/options	Available as standard and as line scan option

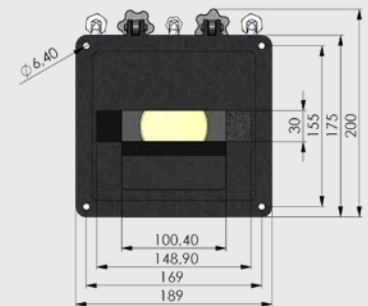
<sup>1)</sup> A protective window (67 x 3 mm) has to be ordered separately

### Dimensions

Laminar AirPurge: standard model



Laminar AirPurge: Line scan model



Laminar AirPurge: Connections

